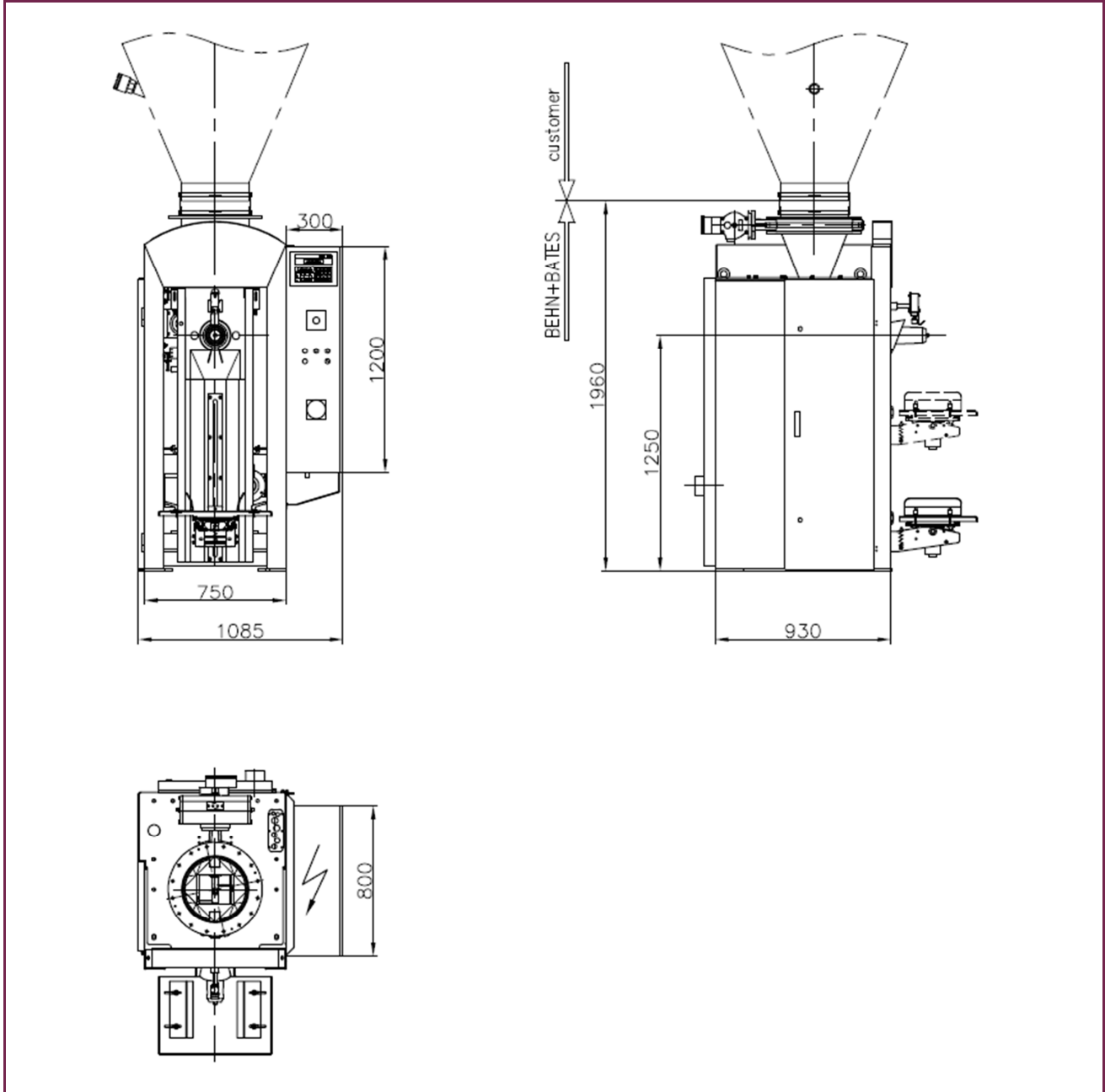




GROSS WEIGHING AUGER PACKER TYPE BS



TECHNICAL DATA

Electric power 3 kW
Compressed air 20 ltr./bag at 5 bar overpressure
Dedusting air 600 m³/h at 10 mbar underpressure

Weighing range 10 - 52 kg adjustable in 50 g steps
Operation 1 person for the operation of the machine and for manual application of the bags
Output Up to 100 bags/h at 25 kg

All information is meant for orientation. We would gladly prepare a binding quotation for you.



GROSS WEIGHING AUGER PACKER TYPE BS

The BS has been designed to meet the demand for a simple packer. This gross weighing auger packer is suitable for floury, gritty and flaky products and for products with difficult flowability, e.g. pasty products with high air content. For easy mounting and cleaning it is equipped with a divided auger.

Characteristics

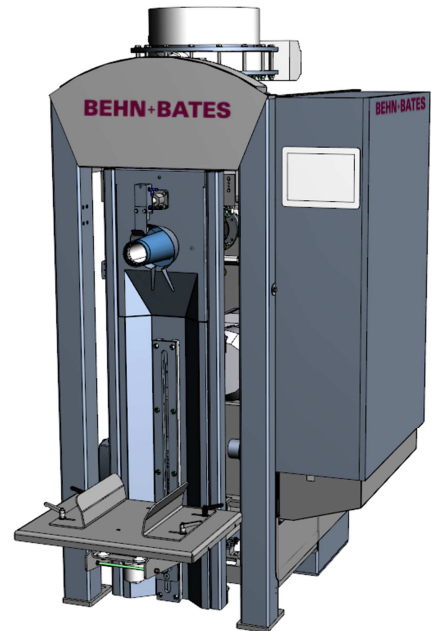
- Butterfly valve as shut off valve for products that are extremely free-flowing
- Agitator inside infeed housing
- Frequency converter for continuous adjustment of the rotation speed
- Product contacting parts made of stainless steel
- Dedusting at screw bearing
- Clear and protected arrangement of all components
- Terminal for operation and control of the station
- Diagnosis and functional test of the inputs and outputs
- Manual height adjustment for adaption to different bag lengths
- Electronic weighing system MEC with integrated machine control
- Dosing time regulator

Your benefits

- Perfect for products with difficult flowability
- Simple operation
- Dosing screw in split design for fast dismantle and maintenance
- Easy cleaning due to lateral maintenance flap in screw housing
- Easy product change

Optionally available

- Bag vibrator
- Several packers in a row, up to four units
- Extra filling spout for open mouth bags
- Full stainless steel design
- Manual welding tongs for hermetically closing of the filled bag
- Ultrasonic sealing unit for automatic valve sealing



PRODUCT | BAG

Bag type	valve bags, open mouth bags (option)
Bag length	400 mm – 1.000 mm
Valve width	140 mm
	standard range, different dimensions to be agreed upon
Product examples	spices, fruit powder, food additives, etc.